

# V2 Valve Installation

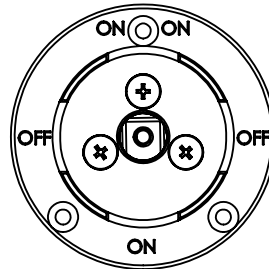
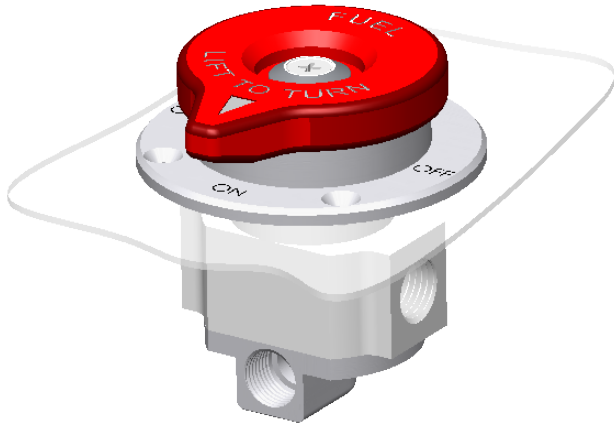
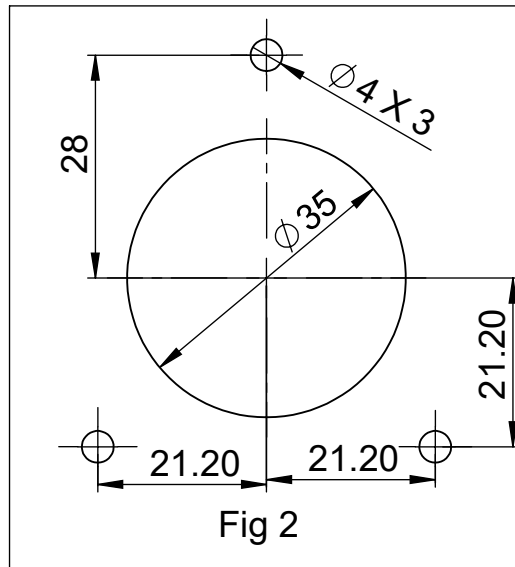


Fig 3

## INSTALLATION INSTRUCTIONS

1. Remove Lever & Selector Plate assembly (Fig1).
2. Mark centre position for Valve location.
3. Mark holes as per template (Fig 2).
4. Cut  $\phi 35$  Hole & 3 -  $\phi 4$  Holes & attach SelectorPlate.
5. Offer Valve through  $\phi 35$  hole on the underside of mounting surface.
6. Fix Valve body to Selector Plate using the 3 x 10-32 x1/ 4" screws (Fig 3)
7. Refit lever assembly



$\phi 70$  Selector plate mounting dimensions

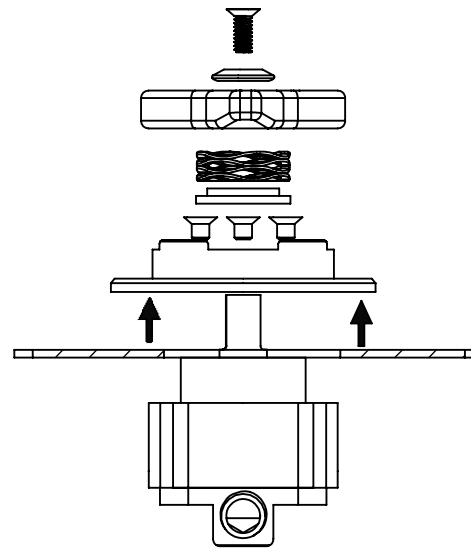


Fig1

UNLESS OTHERWISE SPECIFIED:  
DIMENSIONS ARE IN MILLIMETERS  
0.00  $\pm$  0.05mm  
0.0  $\pm$  0.1mm  
GENERAL TOLERANCES:  $\pm$  0.25mm  
ANGULAR:  $\pm$  0.25°

BREAK ALL SHARP EDGES 0.25 RAD OR CHAMFER

THIS DRAWING IS THE PROPERTY OF NEWTON CONSULTING SPRL AND IS NOT TO BE COMMUNICATED TO ANY THIRD PARTY NORMUST IT BE USED EXCEPT IN RELATION WITH WHICH IT HAS BE SUPPLIED

**NEWTON CONSULTING Sprl**

BANKSIDE WORKS, LONDON ROAD, CHALFORD  
STROUD, GLOS. GL6 8PR UK

Tel: 44(0)1453 884908  
E-Mail: robseby@newtonsprl.co.uk

DATE: 23/08/2023  
DRAWN BY: AP

TITLE: SPRL V2  
INSTALLATION  
INSTRUCTIONS

FINISH:

MATERIAL:

DWG NO. V2 A4

SCALE:1:1 SHEET 1 OF 1