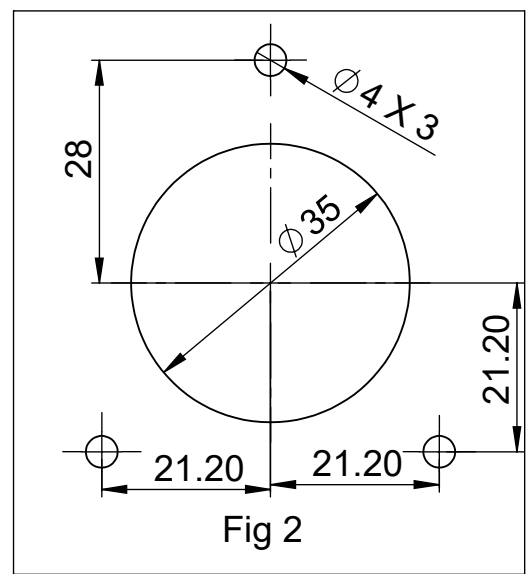
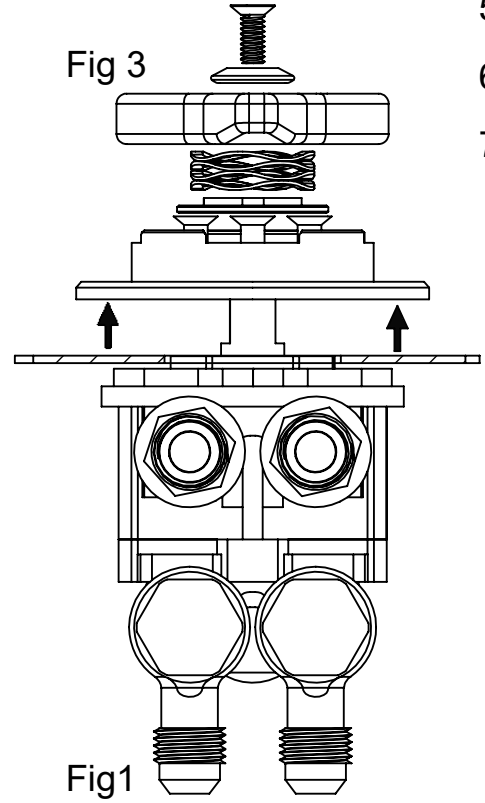
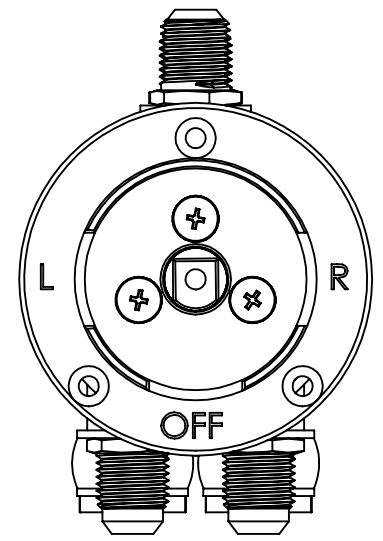
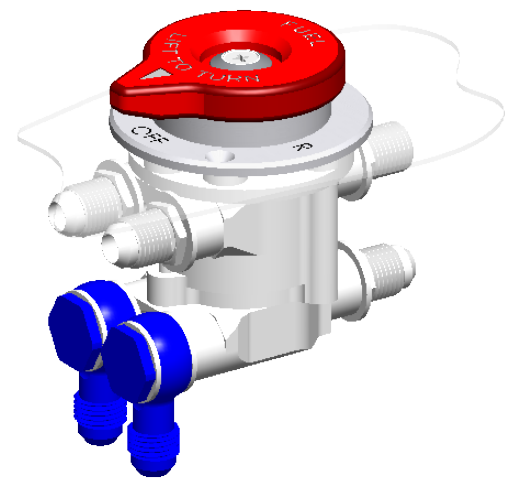


V9 DUPLEX Valve Installation Selector Plate attachment

SELECTOR PLATE INSTALLATION INSTRUCTIONS

1. Remove Lever & Selector Plate assembly (Fig1).
2. Mark centre position for Valve location.
3. Mark holes as per template (Fig 2).
4. Cut $\phi 35$ Hole & 3 - $\phi 4$ Holes & attach SelectorPlate.
5. Offer Valve through $\phi 35$ hole on the underside of mounting surface.
6. Fix Valve body to Selector Plate using the 3 x 10-32 x 1/ 4" screws (Fig 3)
7. Refit lever assembly



$\phi 70$ Selector plate mounting dimensions

UNLESS OTHERWISE SPECIFIED:
DIMENSIONS ARE IN MILLIMETERS
0.00 \pm 0.05mm
0.0 \pm 0.1mm
GENERAL TOLERANCES: \pm 0.25mm
ANGULAR: \pm 0.25°

BREAK ALL SHARP EDGES 0.25 RAD OR CHAMFER

THIS DRAWING IS THE PROPERTY OF NEWTON CONSULTING SPRL AND IS NOT TO BE COMMUNICATED TO ANY THIRD PARTY NORMUST IT BE USED EXCEPT IN RELATION WITH WHICH IT HAS BEEN SUPPLIED

DATE: 23/08/2023
DRAWN BY: AP

FINISH:

MATERIAL:

NEWTON CONSULTING Sprl
BANKSIDE WORKS, LONDON ROAD, CHALFORD STROUD, GLOS. GL6 8PR UK

Tel: 44(0)1453 884908
E-Mail: robseby@newtonsprl.co.uk

TITLE: **SPRL V9 DUPLEX INSTALLATION INSTRUCTIONS**

DWG NO. **V9 DUPLEX** **A4**

SCALE: 1:1

SHEET 1 OF 1