

V9 DUPLEX Valve Installation Tinnerman Plate attachment

TINNERMAN PLATE INSTALLATION INSTRUCTIONS

1. Remove Lever & Selector Plate assembly (Fig1).
2. Mark centre position for Valve location.
3. Mark holes as per template (Fig 2).
4. Cut $\phi 35$ Hole & 4 - 8.5 Slots see template (Fig 2).
5. Offer valve up through $\phi 35$ hole & attach with Tinnerman washers & 8-32 screws (Fig 3).
6. Fix Selector Plate to valve body using 3 - 10-32 x1/4 screws(Fig 4).
7. Refit lever assembly.

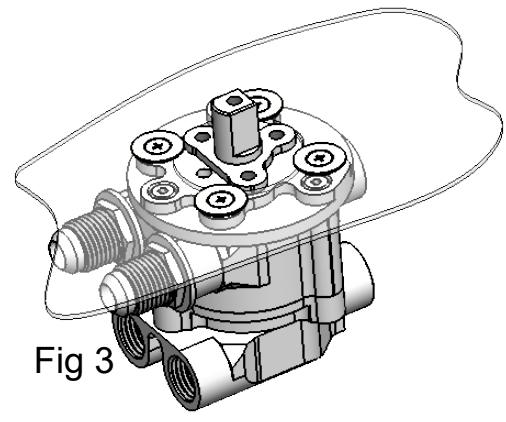
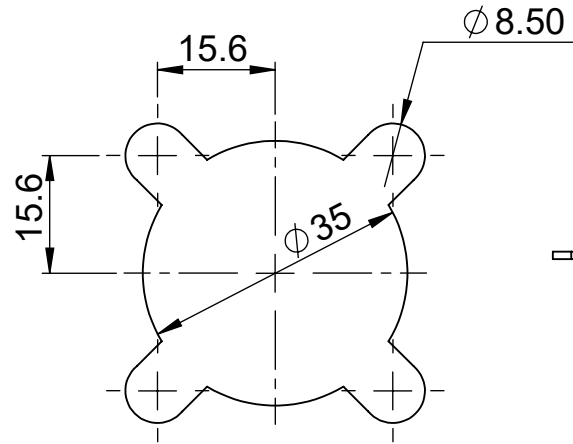
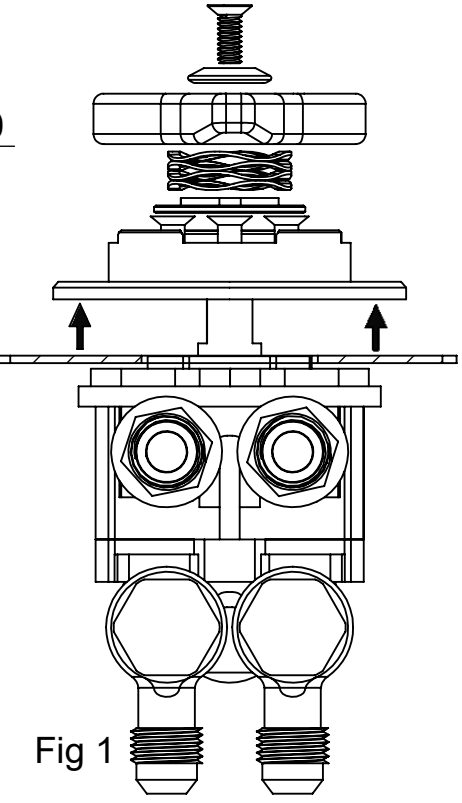
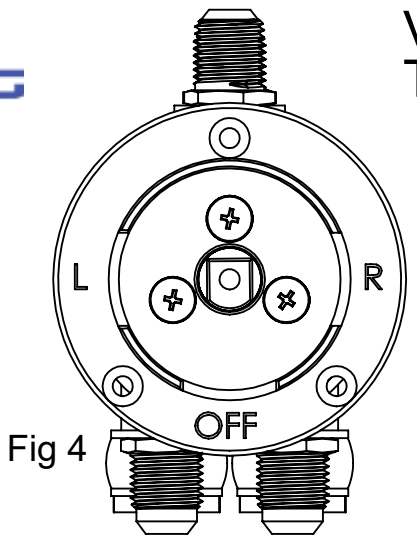
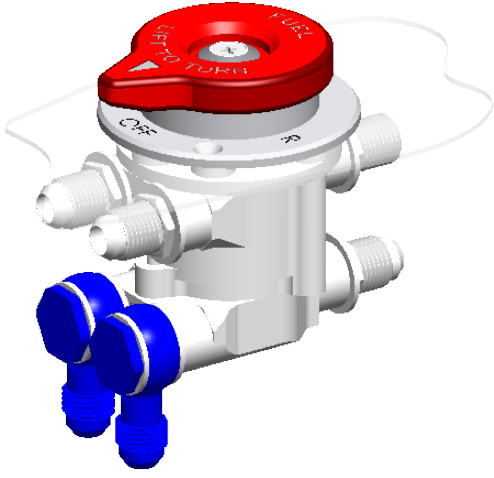


Fig 2
Tinnerman mounting details
8/32 Tinnerman washers
8/32 C'sk screws Supplied

Fig 1

Fig 3

UNLESS OTHERWISE SPECIFIED:
DIMENSIONS ARE IN MILLIMETERS 0.00 \pm 0.05mm
0.0 \pm 0.1mm
GENERAL TOLERANCES: \pm 0.25mm
ANGULAR: \pm 0.25°

BREAK ALL SHARP EDGES 0.25 RAD OR CHAMFER

THIS DRAWING IS THE PROPERTY OF NEWTON CONSULTING SPRL AND IS NOT TO BE COMMUNICATED TO ANY THIRD PARTY NORMUST IT BE USED EXCEPT IN RELATION WITH WHICH IT HAS BEEN SUPPLIED

DATE **23/08/2023** DRAWN BY **AP**

FINISH:

MATERIAL:

NEWTON CONSULTING Sprl
BANKSIDE WORKS, LONDON ROAD, CHALFORD
STROUD, GLOS. GL6 8PR UK

Tel: 44(0)1453 884908
E-Mail: robseiby@newtonsprl.co.uk

TITLE: **V9 DUPLEX
TINNERMAN PLATE
INSTALLATION
INSTRUCTIONS**

DWG NO. **V9 DUPLEX** **A4**

SCALE:1:1

SHEET 1 OF 1