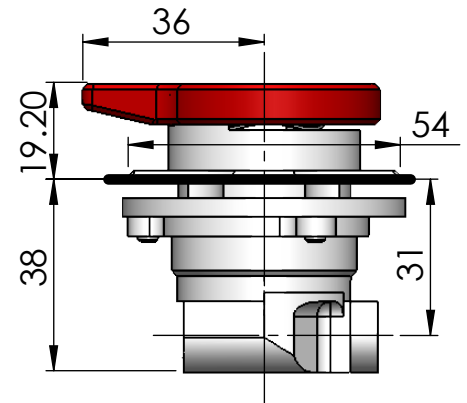


V6 SIMPLEX VALVE



Product Description

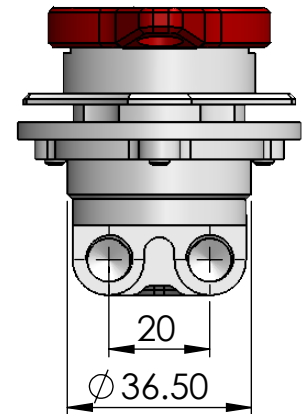
The SPRL V6 miniature fuel selector consists of 2 Models and is available in both or 4-Way, offering OFF/LEFT/RIGHT and BOTH if required

Options

V6-54-3-C

V6-54-4-C

- Long lasting Ceramic Disc Technology
- Smooth action between selection
- Conforming Selector (C): Turn between selections but specifically lift and turn for the off position.
- It is smaller and lighter than other equivalent valves and can be installed inside 2-1/4" (56mm) width having parallel input ports from the rear tapped M10 and the output port to the engine tapped 1/8" NPS to take NPT fittings or NC-315 adaptor from NPT TO M10.
- Fittings are supplied separately.



Materials

Body	Alloy 6082 T6 Anodised Red/Clear
Seals	Viton 75 to BS 1806
Ceramics	Polished Alumina
Weight	160 grams

Application

Fuel - Avgas or Avtur Flow rate -----

Optional Extras

Extension Drive, see website