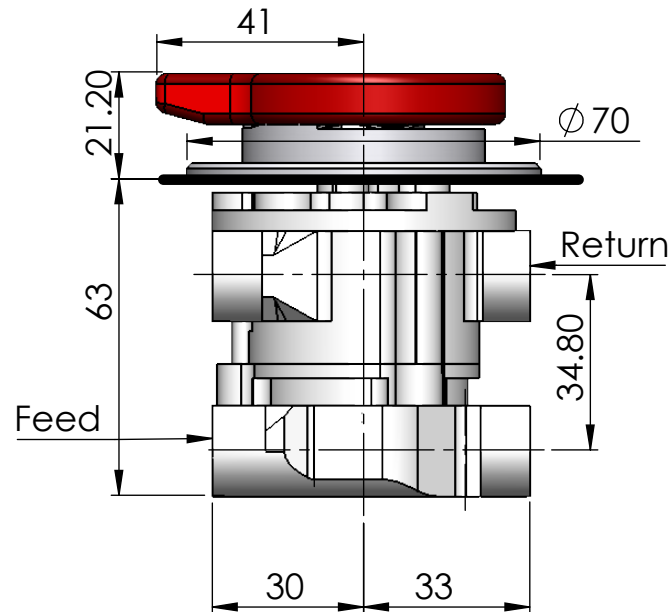




V9 DULPEX VALVE



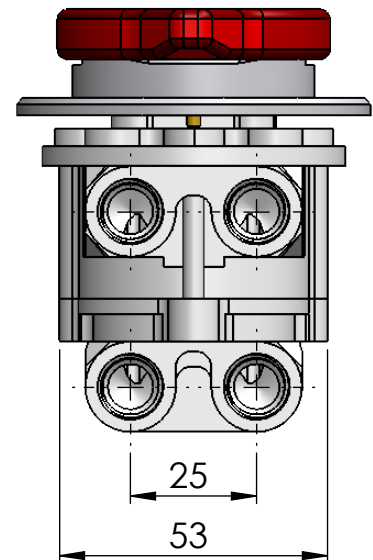
Product Description

The SPRL V9 Duplex Fuel selector with ceramic discs for feed and return. It consists of 4 Models and is available in both 3 or 4-Way, offering OFF/LEFT/RIGHT and BOTH if required

Options

V9-70-3-P	3-Way standard valve
V9-70-4-P	4-Way standard valve
V9-70-3-C	3-Way conforming valve
V9-70-4-C	4-Way conforming valve

- Long lasting Ceramic Disc Technology.
- Suitable for engines with a return system.
- Smooth action between selection.
- Standard selector (P): Lift to Turn with 90 Degrees between each selection.
- Conforming Selector (C): Turn between selections but specifically lift and turn for the OFF position.



Materials

Body	Alloy 6082 T6 Anodised Red/Clear
Seals	Viton 75 to BS 1806
Ceramics	Polished Alumina
Weight	360 grams

Application

Fuel - Avgas or Avtur Flow rate: 180 litres/hr @ 1 psi.

Optional Extras

Extension Drive, see website